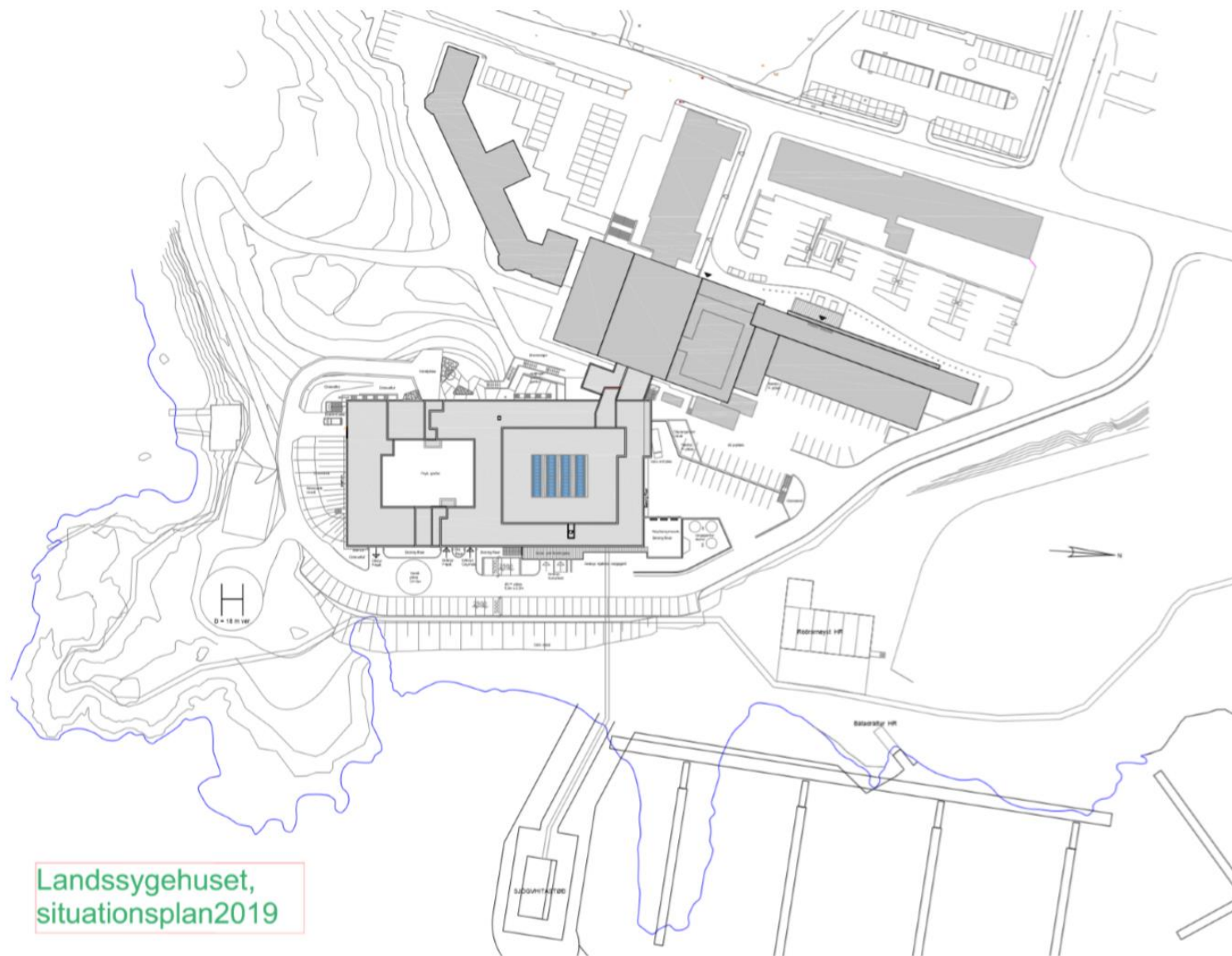


A circular view through a porthole showing a coastal town and a large building complex. The scene is framed by a white, textured border resembling a ship's porthole. In the foreground, there is a body of blue water with whitecaps. In the middle ground, a large, multi-story building complex with a light-colored facade and dark roof is visible, situated on a hillside. The background shows a hazy, distant town or city on a hillside under a pale sky.

Dronning Alexandrines Hospital,
i halvtresserne



Landssygehuset,
situationsplan2019

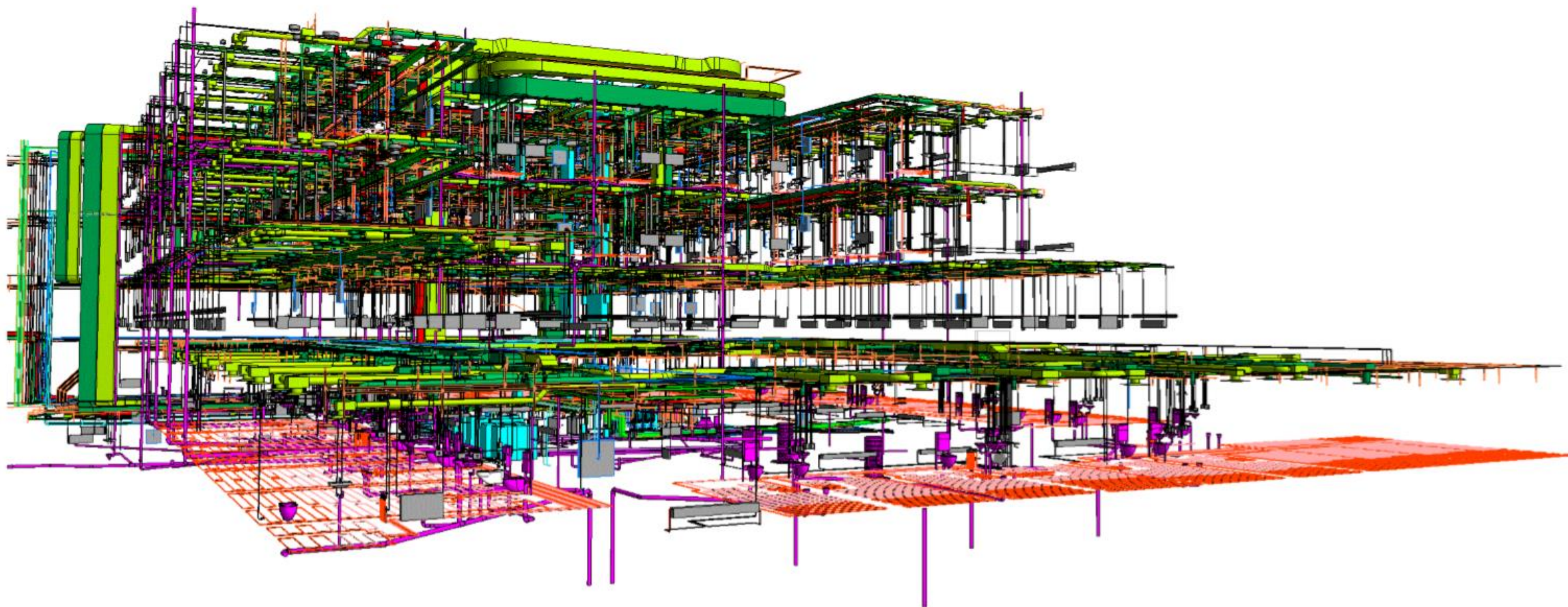


H - bygningurin

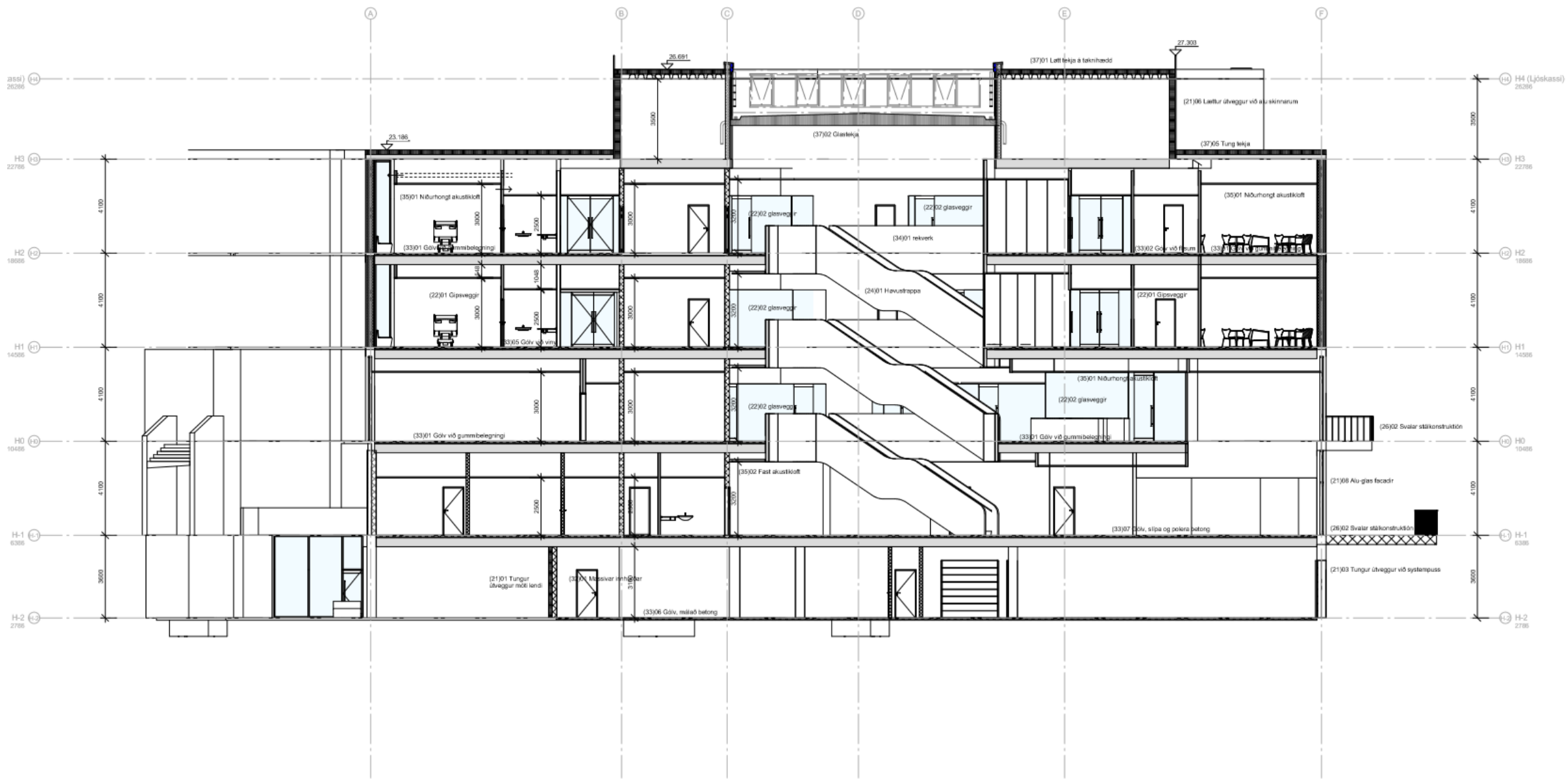
Landssjúkrahúsið



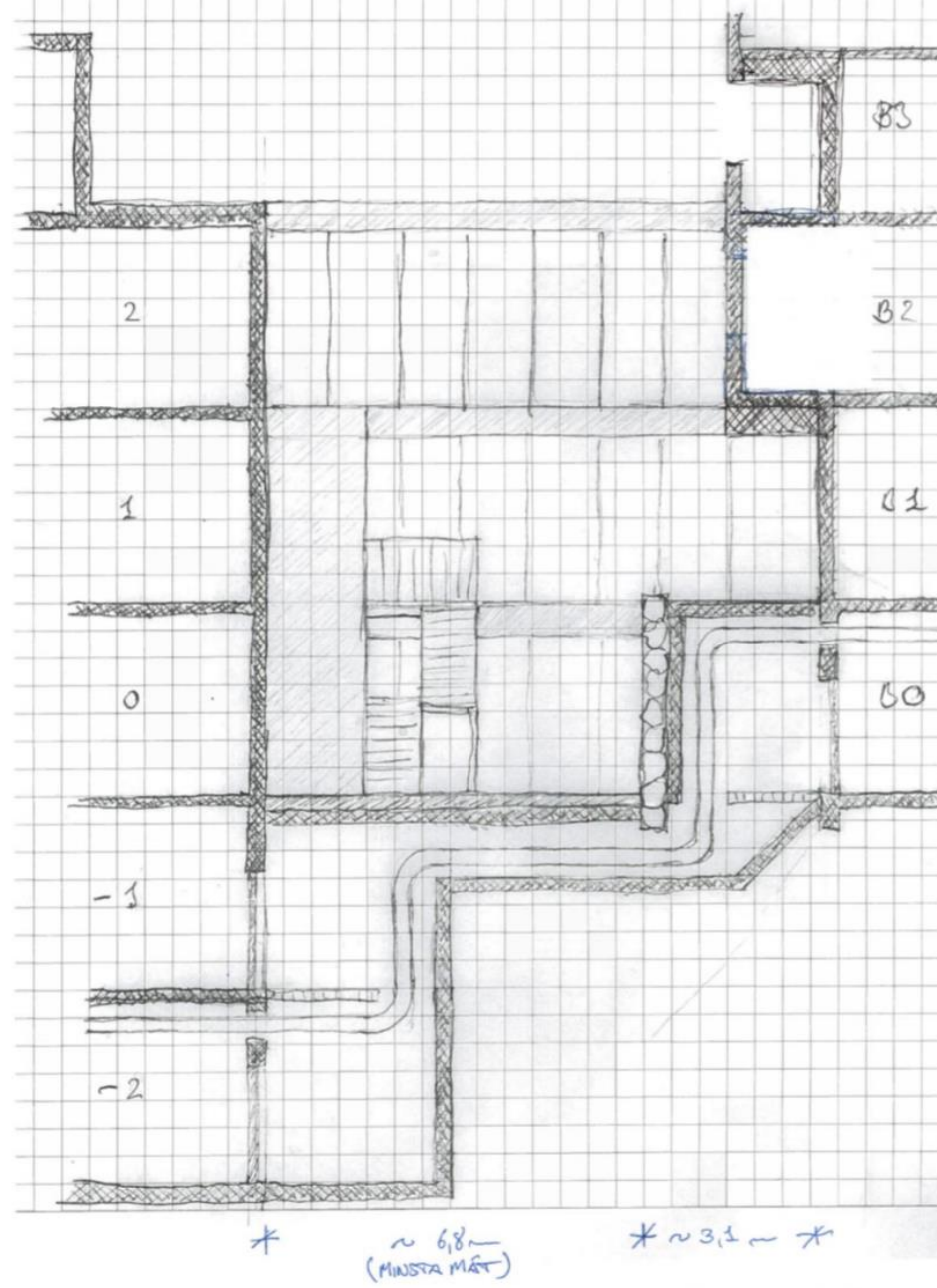




LS H-bygning,
vvs og ventilations installationer



LS H-bygning, tværsnit, set mod nord



LS - H+B
PRINSIPDROS.

Tværsnit, LS H/B, set mod syd



Teigi nr. LSH_KOR_TSH_H1_E-2_M005

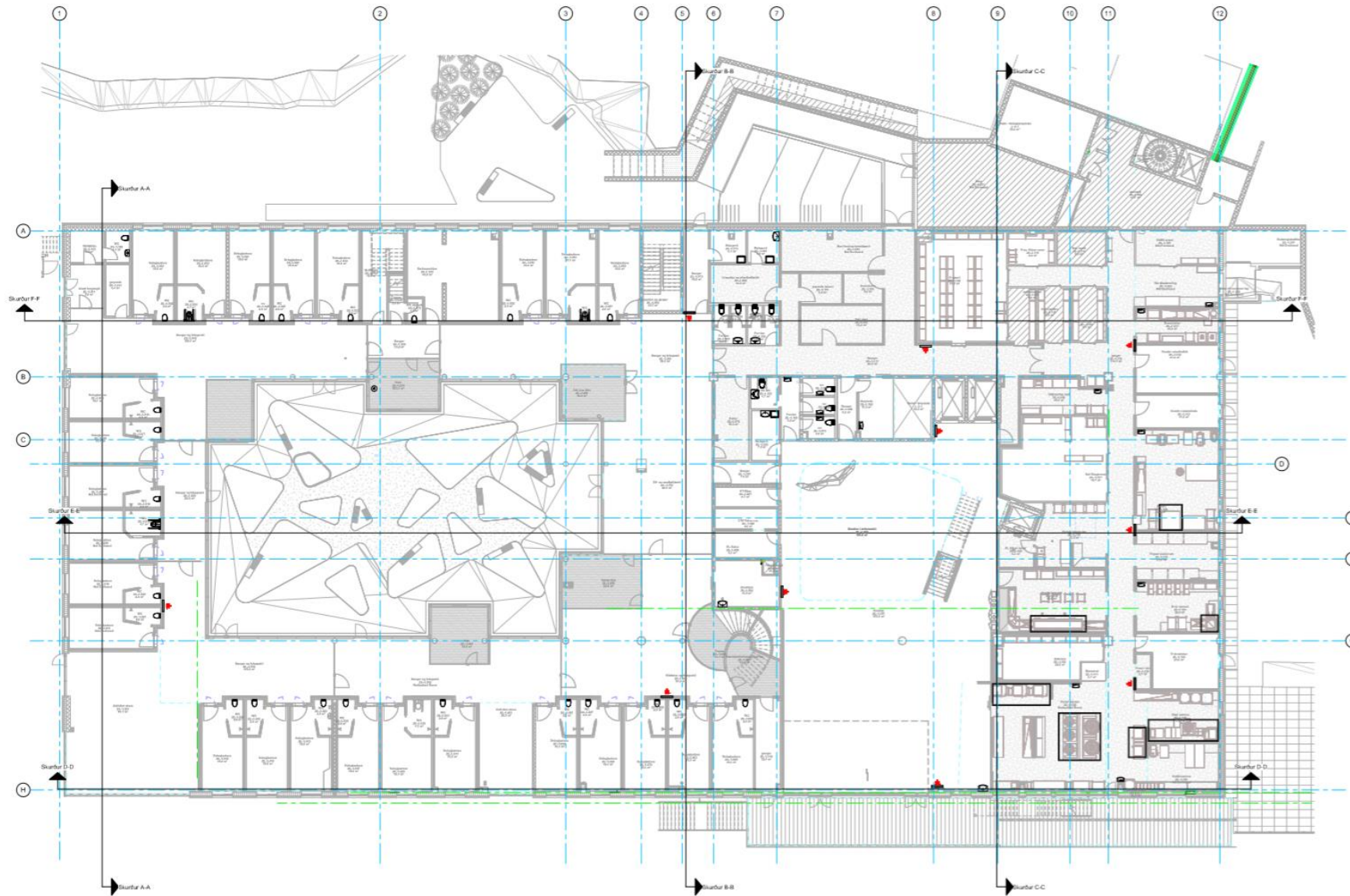
| Līdzekļi | | Telpas | |
|-----------------------|---------------------|---------------------|---------------------|
| LSH_KOR_TSH_H1_E2_M01 | 08.0000000000000000 | 08.0000000000000000 | 08.0000000000000000 |
| LSH_KOR_TSH_H1_E2_M02 | 08.0000000000000000 | 08.0000000000000000 | 08.0000000000000000 |
| LSH_KOR_TSH_H1_E1_M01 | 08.0000000000000000 | 08.0000000000000000 | 08.0000000000000000 |
| LSH_KOR_TSH_H1_E1_M02 | 08.0000000000000000 | 08.0000000000000000 | 08.0000000000000000 |
| LSH_KOR_TSH_H1_E1_M03 | 08.0000000000000000 | 08.0000000000000000 | 08.0000000000000000 |
| LSH_KOR_TSH_H1_E2_M04 | 08.0000000000000000 | 08.0000000000000000 | 08.0000000000000000 |
| LSH_KOR_TSH_H1_E2_M05 | 08.0000000000000000 | 08.0000000000000000 | 08.0000000000000000 |

| Tehniskie | | Vērtības | |
|-----------|---------------------|---------------------|---------------------|
| — | 08.0000000000000000 | 08.0000000000000000 | 08.0000000000000000 |
| — | 08.0000000000000000 | 08.0000000000000000 | 08.0000000000000000 |
| — | 08.0000000000000000 | 08.0000000000000000 | 08.0000000000000000 |
| — | 08.0000000000000000 | 08.0000000000000000 | 08.0000000000000000 |
| — | 08.0000000000000000 | 08.0000000000000000 | 08.0000000000000000 |
| — | 08.0000000000000000 | 08.0000000000000000 | 08.0000000000000000 |
| — | 08.0000000000000000 | 08.0000000000000000 | 08.0000000000000000 |

| Līdzekļi | | Telpas | |
|-----------------------|---------------------|---------------------|---------------------|
| LSH_KOR_TSH_H1_E2_M01 | 08.0000000000000000 | 08.0000000000000000 | 08.0000000000000000 |
| LSH_KOR_TSH_H1_E2_M02 | 08.0000000000000000 | 08.0000000000000000 | 08.0000000000000000 |
| LSH_KOR_TSH_H1_E1_M01 | 08.0000000000000000 | 08.0000000000000000 | 08.0000000000000000 |
| LSH_KOR_TSH_H1_E1_M02 | 08.0000000000000000 | 08.0000000000000000 | 08.0000000000000000 |
| LSH_KOR_TSH_H1_E1_M03 | 08.0000000000000000 | 08.0000000000000000 | 08.0000000000000000 |
| LSH_KOR_TSH_H1_E2_M04 | 08.0000000000000000 | 08.0000000000000000 | 08.0000000000000000 |
| LSH_KOR_TSH_H1_E2_M05 | 08.0000000000000000 | 08.0000000000000000 | 08.0000000000000000 |

| Līdzekļi | | Telpas | |
|-----------------------|---------------------|---------------------|---------------------|
| LSH_KOR_TSH_H1_E2_M01 | 08.0000000000000000 | 08.0000000000000000 | 08.0000000000000000 |
| LSH_KOR_TSH_H1_E2_M02 | 08.0000000000000000 | 08.0000000000000000 | 08.0000000000000000 |
| LSH_KOR_TSH_H1_E1_M01 | 08.0000000000000000 | 08.0000000000000000 | 08.0000000000000000 |
| LSH_KOR_TSH_H1_E1_M02 | 08.0000000000000000 | 08.0000000000000000 | 08.0000000000000000 |
| LSH_KOR_TSH_H1_E1_M03 | 08.0000000000000000 | 08.0000000000000000 | 08.0000000000000000 |
| LSH_KOR_TSH_H1_E2_M04 | 08.0000000000000000 | 08.0000000000000000 | 08.0000000000000000 |
| LSH_KOR_TSH_H1_E2_M05 | 08.0000000000000000 | 08.0000000000000000 | 08.0000000000000000 |

Landspārvalde, Projekts: LSH_KOR_TSH_H1_E2_M05, Telpas: LSH_KOR_TSH_H1_E2_M01-2, Mērogs: 1:500, Datums: 2024.05.15, Izstrādātājs: LSH_KOR_TSH_H1_E2_M05, Apmērotājs: LSH_KOR_TSH_H1_E2_M05, Kontrolētājs: LSH_KOR_TSH_H1_E2_M05, Atļaujas Nr.: LSH_KOR_TSH_H1_E2_M05



Teign nr. LSH_K08_T04_H1_E-1_N405

Tálistjórnir

- LSH_K08_T04_H1_E-1_N01
- LSH_K08_T04_H1_E-1_N02
- LSH_K08_T04_H1_E-1_N03
- LSH_K08_T04_H1_E-1_N04
- LSH_K08_T04_H1_E-1_N05
- LSH_K08_T04_H1_E-1_N06
- LSH_K08_T04_H1_E-1_N07

Tekniðráttir

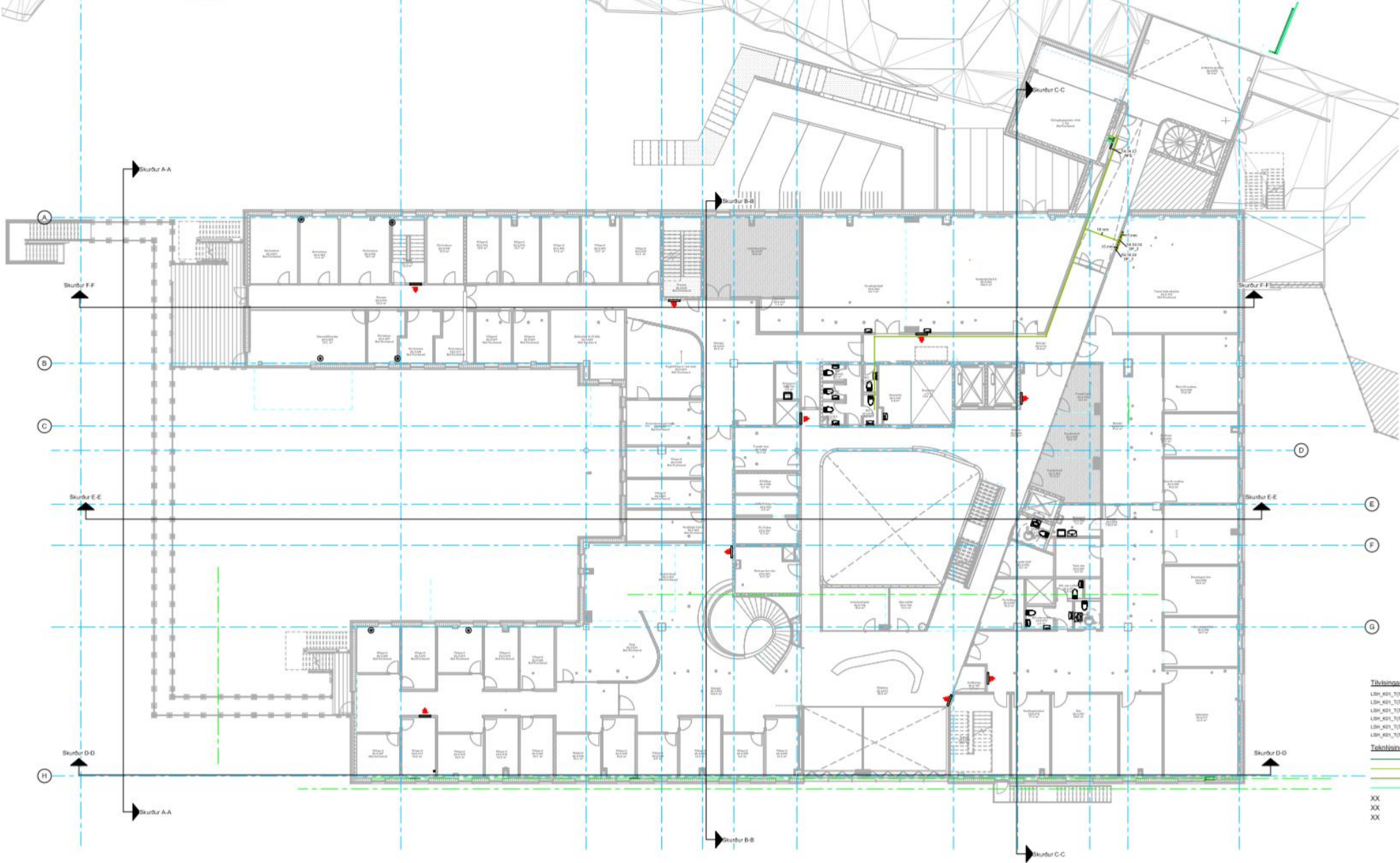
- XX
- XX
- XX
- XX

Notki

- 1. Ø 80mm hálfvörð í innvi
- 2. innvi

- Vissir
- Innvi
- Met. innvi
- Ø
- innvi
- innvi
- innvi

| | | | |
|--|--|-------------------------------------|---------------|
| Landspítali Landspítali Landspítali | | Tegn nr. LSH_K08_T04_H1_E-1_N405 | Blað nr. 2 |
| Landspítali Landspítali Landspítali | | Tegn nr. LSH_K08_T04_H1_E-1_N405 | Blað nr. 2 |
| Tegn nr. LSH_K08_T04_H1_E-1_N405 | | | |
| Landspítali Landspítali Landspítali | | Tegn nr. LSH_K08_T04_H1_E-1_N405 | Blað nr. 2 |



Teign. nr. LSH_K08_T(54)_H1_E0_N404

Tilvisningar

- LSH_K01_T(70)_H1_E1_N01
- LSH_K01_T(70)_H1_E2_N01
- LSH_K01_T(70)_H1_E3_N01
- LSH_K01_T(70)_H1_E4_N01
- LSH_K01_T(70)_H1_E5_N01
- LSH_K01_T(70)_H1_E1_N01
- LSH_K01_T(70)_H1_E2_N01

Tekniðfang

-
-
-
-
- XX
- XX
- XX

Nota:

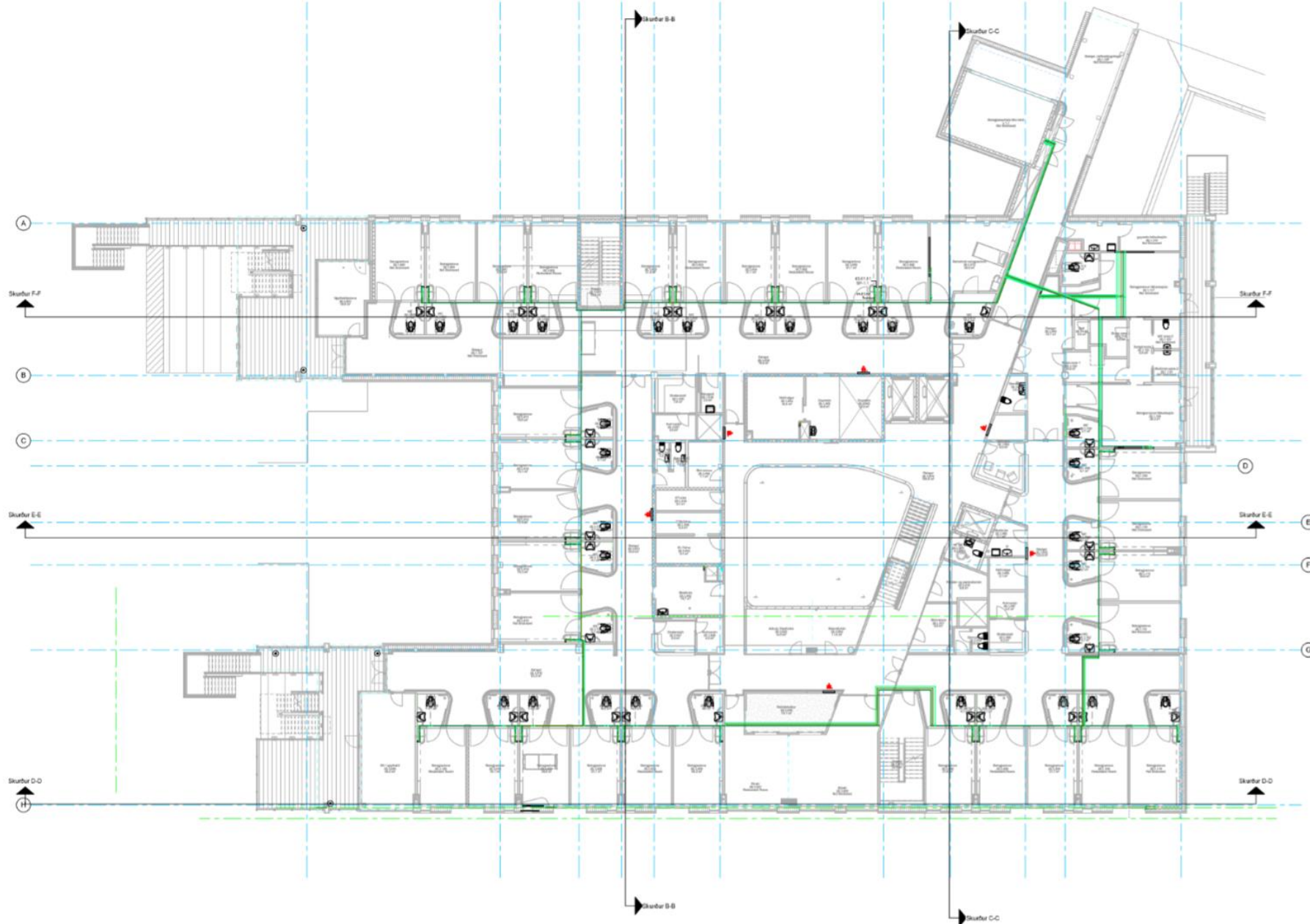
1. DR Draend mál au / ren
2. xxxxx

Vísunum

- Flak: Fylstúlf
- Flak: Fylstúlf
- Flak: Fylstúlf
- Flak: Fylstúlf
- Flak: Fylstúlf
- Flak: Fylstúlf

| Í | Titill | Skilgreining | Stærð | Stað |
|---|-------------------------------|-------------------------------|-------|------|
| 1 | Landssjúkrahúsið | Landssjúkrahúsið | 1 | 1 |
| 2 | Med. gasskipan, Flæmynd og HÖ | Med. gasskipan, Flæmynd og HÖ | 1 | 1 |

| | | | |
|--|--|--|--|
| LANDSPÓRT II Hlíð 101 Reykjavík Sími: 592 4444 www.landspori.is | SNÁ Landspórt II 101 Reykjavík Sími: 592 4444 www.snai.is | SNÁ Landspórt II 101 Reykjavík Sími: 592 4444 www.snai.is | SNÁ Landspórt II 101 Reykjavík Sími: 592 4444 www.snai.is |
|--|--|--|--|

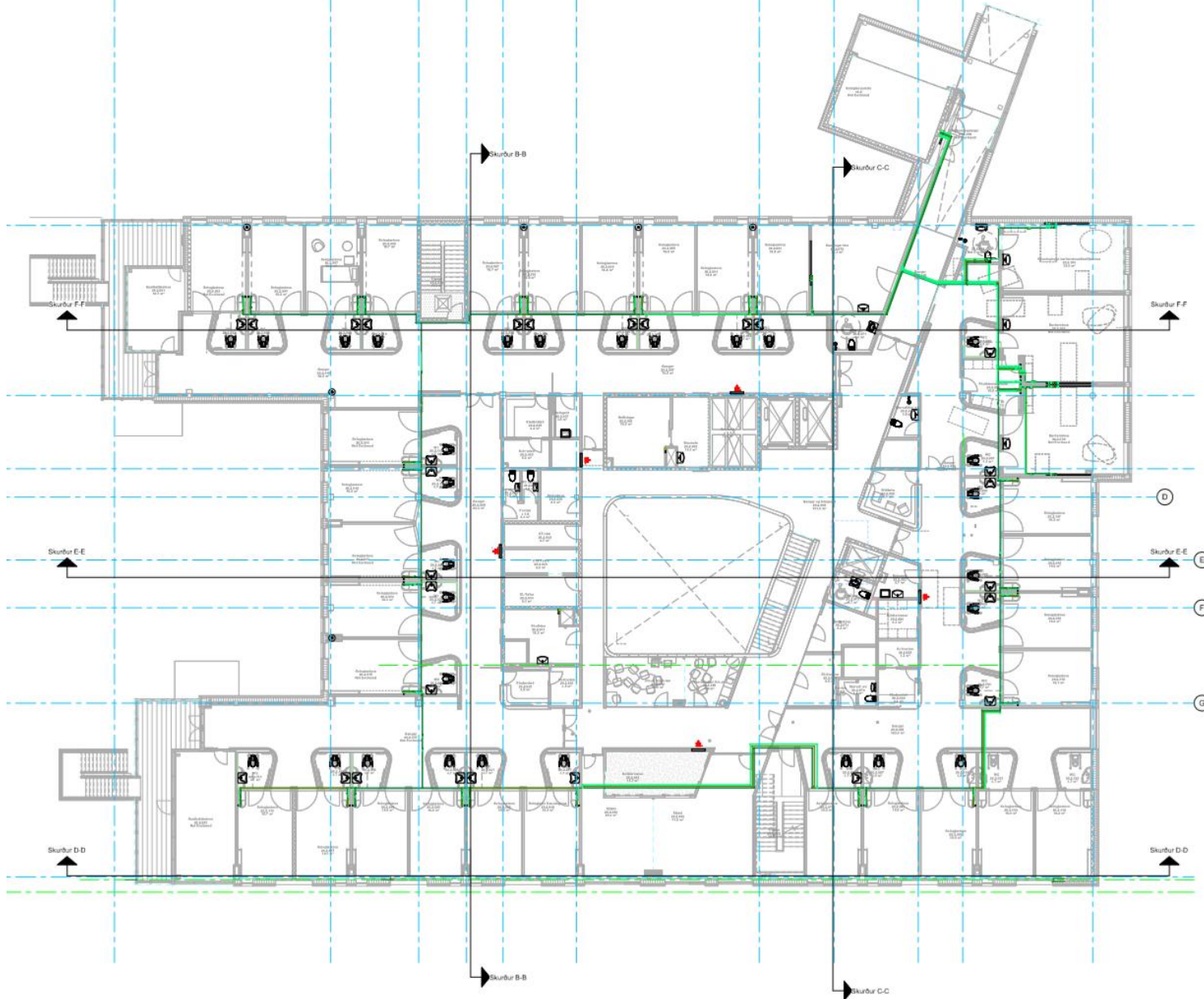


Tegri nr. LSH_KOR_T04_H1_E1_N432

- Tilvísningar**
- LSH_K01_T09L_H1_E1_N01
 - LSH_K01_T09L_H1_E2_N01
 - LSH_K01_T09L_H1_E1_N01
 - LSH_K01_T09L_H1_E1_N01
 - LSH_K01_T09L_H1_E1_N01
 - LSH_K01_T09L_H1_E1_N01
 - LSH_K01_T09L_H1_E1_N01
- Tekjainngif**
- XX
 - XX
 - XX

- Nota**
1. Öll áhersla er á að nota
 2. sanna
- Vannum
 Not. upplýst
 Not. upplýst
 0
 00000
 00000
 00000

| | | | |
|--|--------------------------|------------------------------------|--------------------------|
| Landsjúkrahúsið Prospektið 1B í Högbergum | | Tönn nr. LSH_KOR_T04_H1_E1_N432 | Blað nr. 1 |
| Með gæðgjafi Flakrydd og HT | | Dátum 15.12.2018 | Skýli 01 |
| GIL GIL GIL GIL | GIL GIL GIL GIL | GIL GIL GIL GIL | GIL GIL GIL GIL |

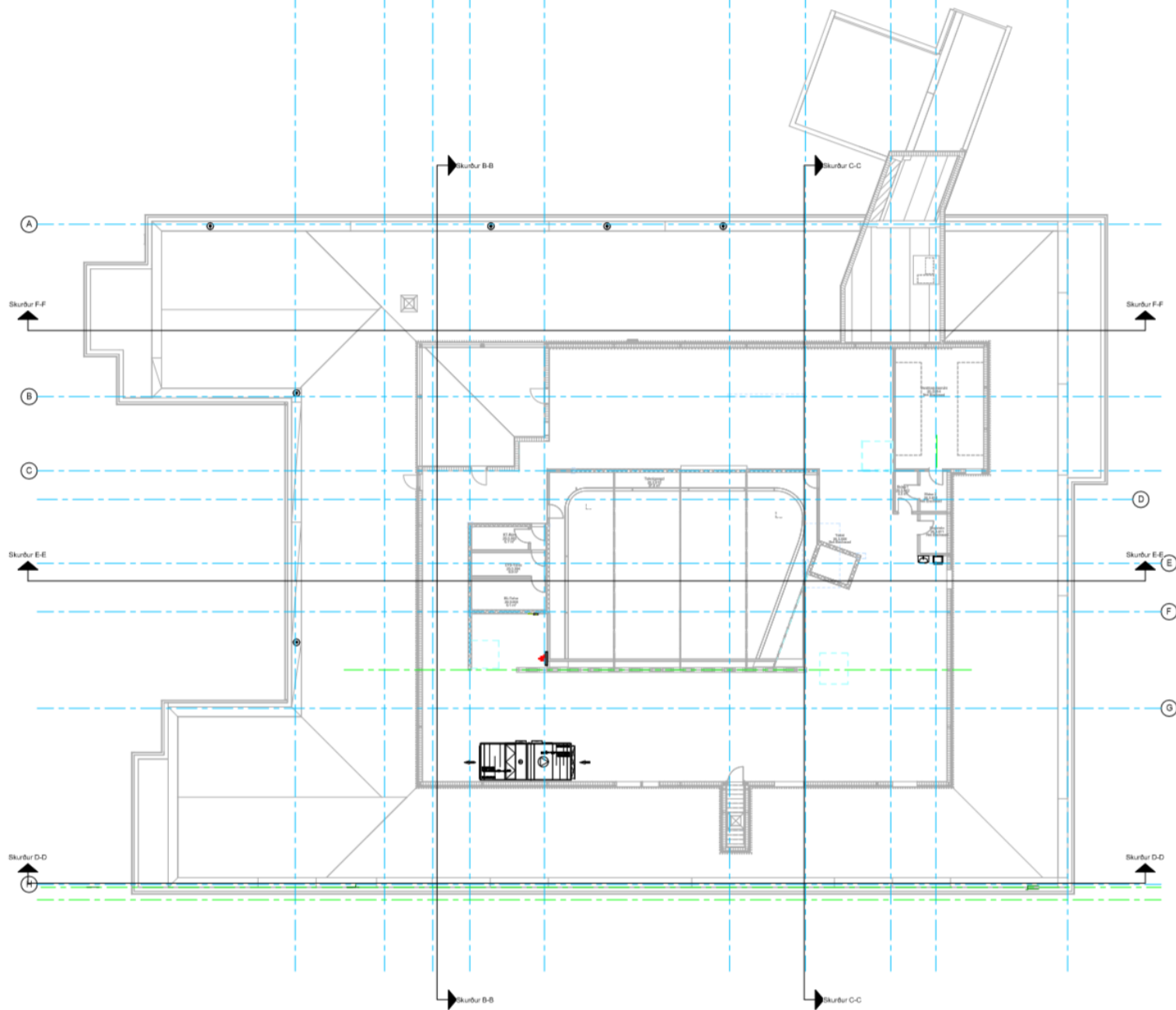


Teign. nr. LSH_K08_T(54)_H1_E2_N402

- Tilvísningar:**
- LSH_K08_T(70)_H_E2_N04
 - LSH_K08_T(70)_H_E2_N05
 - LSH_K08_T(70)_H_E2_N06
 - LSH_K08_T(70)_H_E2_N07
 - LSH_K08_T(70)_H_E2_N08
 - LSH_K08_T(70)_H_E2_N09
 - LSH_K08_T(70)_H_E2_N10
 - LSH_K08_T(70)_H_E2_N11
 - LSH_K08_T(70)_H_E2_N12
- Takhljósing:**
- XX
 - XX
 - XX

- Nota:**
- 1. ÖM (innvið milli veggja)
 - 2. önnur
- Vörðun:**
- XX - Vörðun
 - XX - Vörðun
 - XX - Vörðun

| | | | |
|-------------------------------|--|-----------------------------------|--|
| Landssjúkrahúsið | | Tönn nr. LSH_K08_T(54)_H1_E2_N402 | |
| Prosjekt nr. L.S. Hjúskapar | | Bl. 1 | |
| Med. gæskipen. Flötmynd av H2 | | Dát. 18.12.2018 | |
| FARREPORT II | | Dát. 18.12.2018 | |
| www.lsh.is | | www.lsh.is | |
| www.lsh.is | | www.lsh.is | |
| www.lsh.is | | www.lsh.is | |
| www.lsh.is | | www.lsh.is | |



Tegn. nr. LSH_K08_T154L_H1_E3_N401

Tilvísing:

- LSH_K01_T176L_H1_E3_N01
- LSH_K01_T176L_H1_E3_N01
- LSH_K01_T176L_H1_E3_N01
- LSH_K01_T176L_H1_E3_N01
- LSH_K01_T176L_H1_E3_N01
- LSH_K01_T176L_H1_E3_N01
- LSH_K01_T176L_H1_E3_N01

Tekning:

- XX
- XX
- XX
- XX

Nota:

- 1. 80 cm innvið mál eru 1 mm
- 2.

Vacuum

Med. trygghúð

Med. trygghúð

W

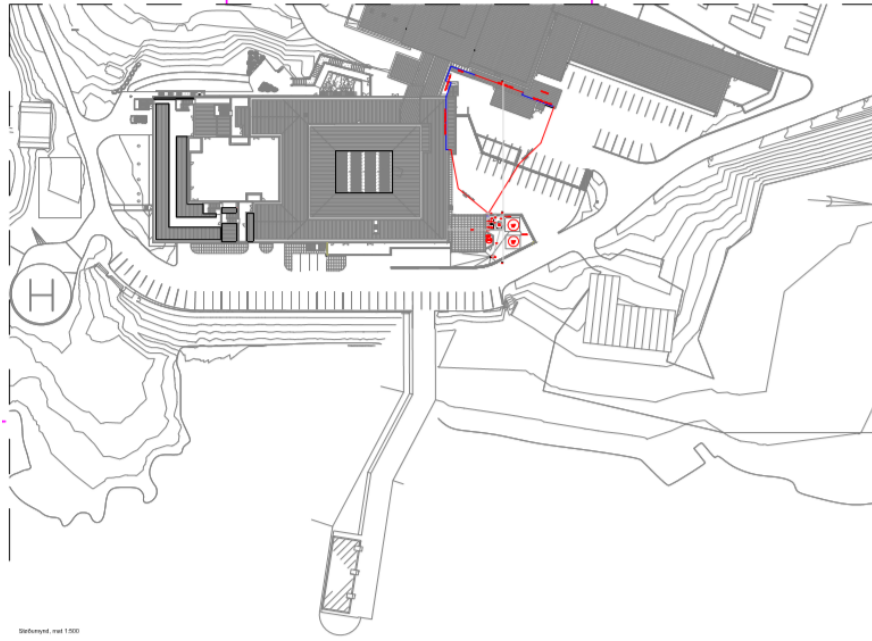
XXXXXX

XX

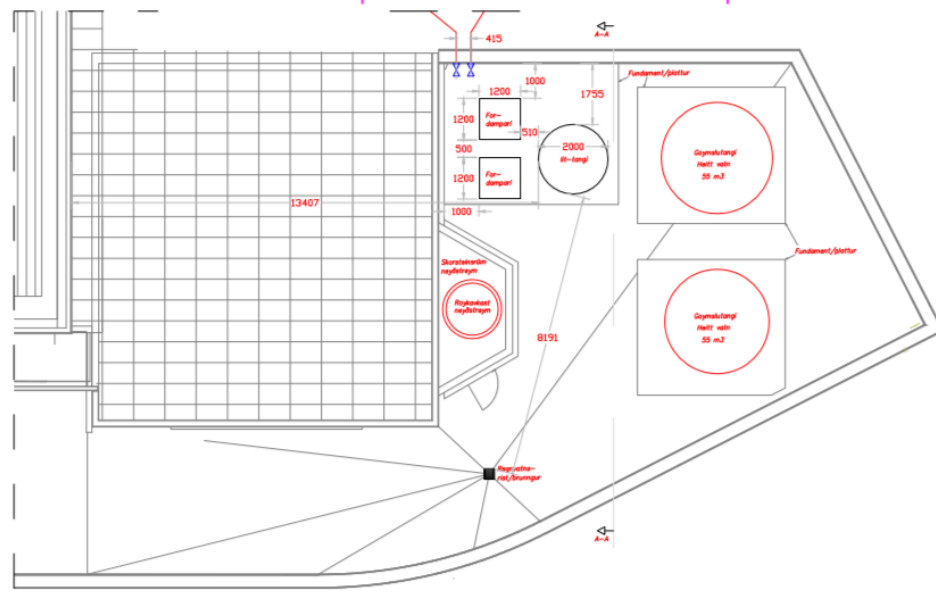
XXXXXX

XXXX

| | | | | | |
|---|--|--|--|--|--|
| <p>Landsjúkrahúsið Project ID: L3 Hjúgryngin</p> | | <p>Task nr. LSH_K08_T154L_H1_E3_N401</p> | | <p>Rev. 1</p> | |
| <p>Med. gasskipan, Flötmynd av H3</p> | | <p>Scale: 1:100</p> | | <p>Scale: 1:100</p> | |
| <p>FAIRPORT II</p> | | <p>SMI</p> | | <p>SMI</p> | |
| <p>Stað: Hjúgryngin 4 101 Reykjavík Sími: 420 10 000 www.fairport.is</p> | | <p>Stað: Hjúgryngin 1 101 Reykjavík Sími: 420 10 012 www.smi.is</p> | | <p>Stað: Hjúgryngin 10 101 Reykjavík Sími: 420 10 000 www.fairport.is</p> | |



Sääksy, -reit 1:500



Plani, -reit 1:50



Tuotteen A.A. -reit 1:50

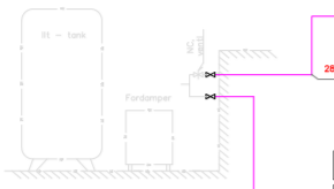
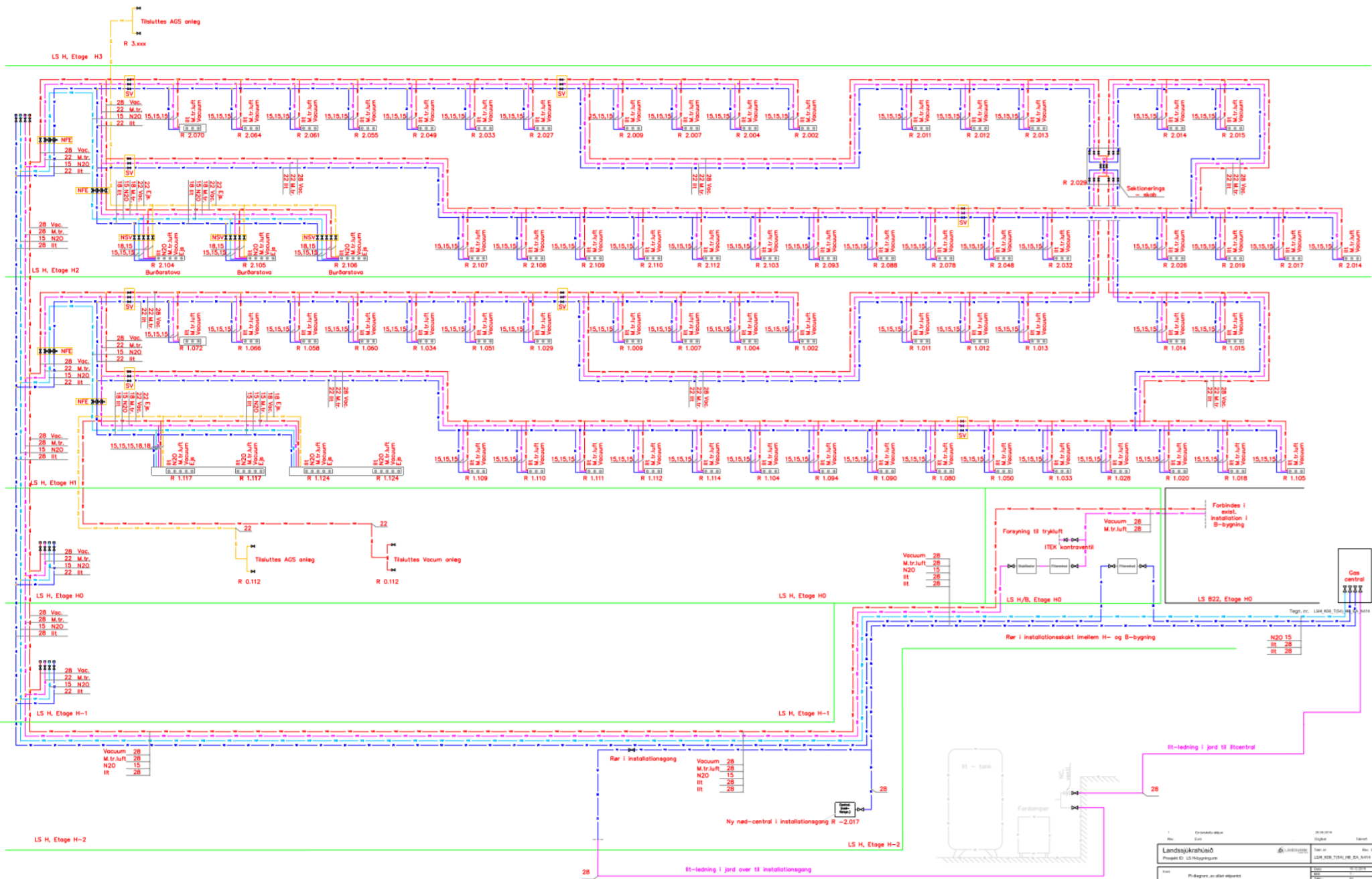
Teign, n.

REKLA:

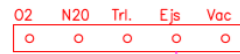
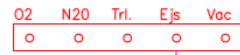
NOTA:

TÄYDENNÄ:

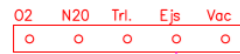
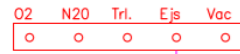
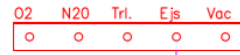
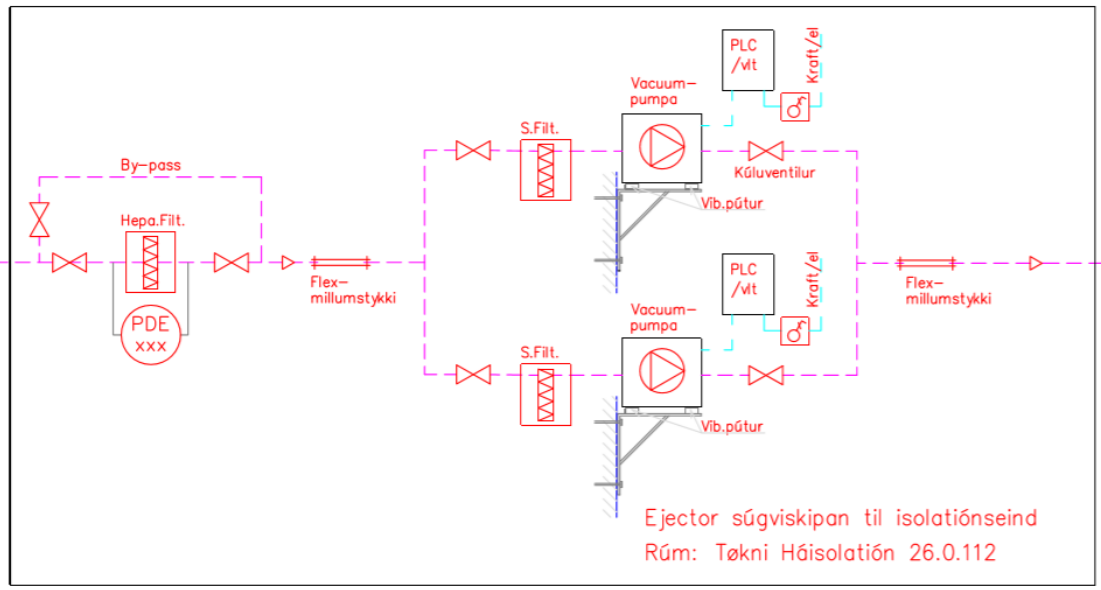
| Nro. | Enn. | Opin. | Talou. | | | | | | | | | | | | |
|--|--------------|--------------|--------------|-------|-------|-------|-------|--------------|--------------|--------------|--------------|-------------|-------------|-------------|-------------|
| Landsjärnhövd | | | | | | | | | | | | | | | |
| Projekt C: LD-Näppäpää | | | | | | | | | | | | | | | |
| Päivä: | | Mitt. | | | | | | | | | | | | | |
| Päivä: | | Mitt. | | | | | | | | | | | | | |
| Päivä: | | Mitt. | | | | | | | | | | | | | |
| Päivä: | | Mitt. | | | | | | | | | | | | | |
| Päivä: | | Mitt. | | | | | | | | | | | | | |
| <table border="1"> <thead> <tr> <th>Proj.</th> <th>Proj.</th> <th>Proj.</th> <th>Proj.</th> </tr> </thead> <tbody> <tr> <td>Matti Mäkelä</td> <td>Lauri Mäkelä</td> <td>Matti Mäkelä</td> <td>Matti Mäkelä</td> </tr> <tr> <td>00-10000000</td> <td>00-10000000</td> <td>00-10000000</td> <td>00-10000000</td> </tr> </tbody> </table> | | | | Proj. | Proj. | Proj. | Proj. | Matti Mäkelä | Lauri Mäkelä | Matti Mäkelä | Matti Mäkelä | 00-10000000 | 00-10000000 | 00-10000000 | 00-10000000 |
| Proj. | Proj. | Proj. | Proj. | | | | | | | | | | | | |
| Matti Mäkelä | Lauri Mäkelä | Matti Mäkelä | Matti Mäkelä | | | | | | | | | | | | |
| 00-10000000 | 00-10000000 | 00-10000000 | 00-10000000 | | | | | | | | | | | | |



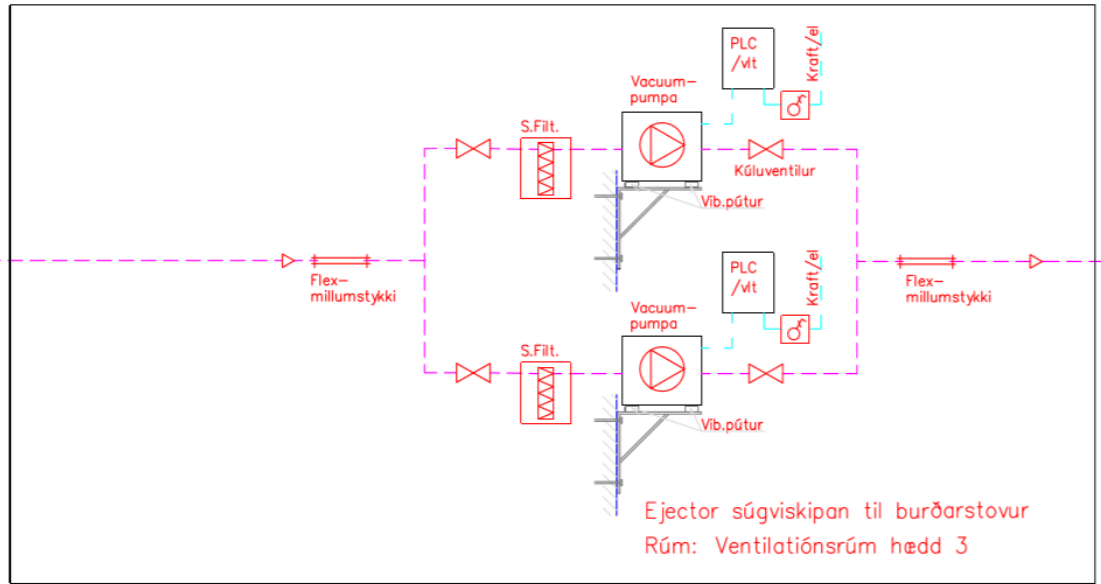
| | | | | | |
|--|--|------------------------------------|--|-----------------------------|--|
| Landsbykøkken | | 2024-07-15 | | Side 1 | |
| Projekt ID: LS-Rørgang | | LSD_A04_T041_RL_EA_A114 | | Rev. 1 | |
| Udarbejdet af: [Name] Tjekket af: [Name] Godkendt af: [Name] | | Dato: [Date] Version: [Version] | | Skala: [Scale] | |
| FAIRPORT B [Logo] | | A. SNA [Logo] | | FAIRPORT B [Logo] | |



Isolátionsstovur, hædd 1



Burðarstovur, hædd 2



Ags - system fra udbud.

Tak for jeres opmærksomhed

